



LAYOUT AND GENERAL INSTALLATION INSTRUCTIONS

570-3100 R NCAA HAMMER / DISCUS CAGE WITH GROUND SLEEVES (DOUBLE CIRCLE)

CAUTION:

Use only for UCS Hammer/Discus Cage model 570-3100R with a Double Ring layout as per Spec and Architectural Drawings. Hammer and Discus Ring must be placed as according to installation drawing, with Hammer Ring located behind Discus Ring and spaced accordingly. Any deviation contact factory.



PARTS LIST

See diagram next page.

17	570-3109	DOOR NET	2
16	570-GSD-36	GROUND SLEEVE DOOR	2
15	570-3101	MAIN NET	1
14	570-19	PULLEY FOR ROPE	7
13	570-18	PIN / ALIGNMENT DEVICE	5
12	570-17	ALIGNMENT DEVICE	5
11	570-16	SKIRT WEIGHT	5
10	570-15	CAGE BRACE	2
9	570-13	RADIUS PATH WHEEL	2
8	570-10	DOOR LOCKING DEVICE	4
7		ROPE 3/8" - 45' long WITH SNAP	25
6	570-GSL	GROUND SLEEVE FOR LOCKING DEVICE	6
5	570-GSP-36	GROUND SLEEVE POLE	5
4	570-02	GROUND CAP	7
3	570-01	DOOR HINGE	4
2	570-3100R-02	DOOR	2
1	570-3100R-01	POLE	5

ITEM NO.	PART NUMBER & ASSEMBLY LEVEL	DESCRIPTION	QTY.
UNLESS OTHERWISE SPECIFIED		CONTRACT NO.	
DIMENSIONS ARE IN INCHES FRACTIONAL TOL: $\pm 1/4$ ANGULAR TOL: $\pm 0.5^\circ$		511 HOFFMAN RD. LINCOLNTON, N.C. 28092	
MATERIAL		APPROVALS DRAWN A.ANGELOV CHECKED ENGINEER CHECKED	DATE 3/3/00 TITLE NCAA CAGE FOR HAMMER AND DISCUS WITH GROUND SLEEVES
		SIZE C1	CAGE CODE 570-3100R
		DWG NO. 570-3100R ASSEMBLY DRAWING	REV. R
		SCALE 1:25	SHEET 1 OF 1

PROPRIETARY & CONFIDENTIAL
THE INFORMATION CONTAINED IN THIS DRAWING IS THE SOLE PROPERTY OF UCS, INC. ANY REPRODUCTION IN PART OR AS A WHOLE WITHOUT THE WRITTEN PERMISSION OF UCS, INC. IS PROHIBITED.

UCS CAGES ARE DESIGNED FOR LIMITED PROTECTION AND SAFETY TO SPECTATORS, OFFICIALS AND ATHLETES. ALL CAGES SHOULD BE USED AS ORIGINALLY DESIGNED AND WITH NET FULLY STRUNG IN PLACE DURING ACTIVITIES.

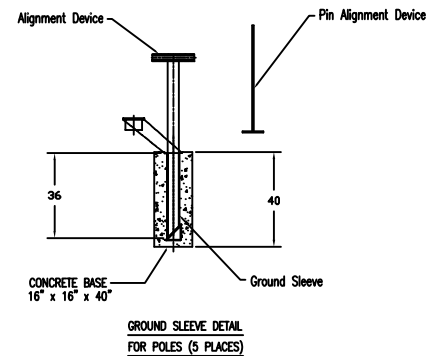
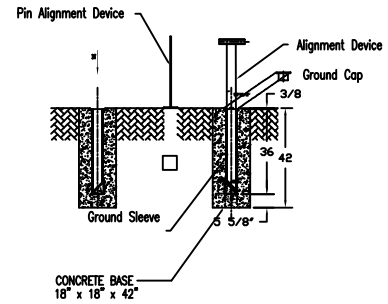
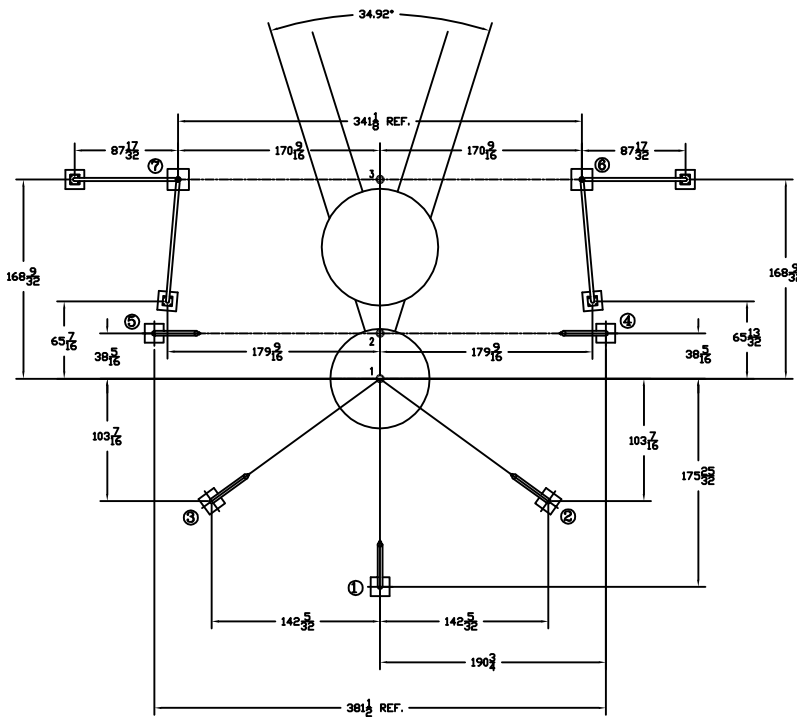
NOT TO SCALE

© 2008 UCS, INC.

PAGE 2

GROUND SLEEVE PRE-ALIGNMENT POSITIONS AND SUPPORTING BRACE FOR CONCRETE BASE

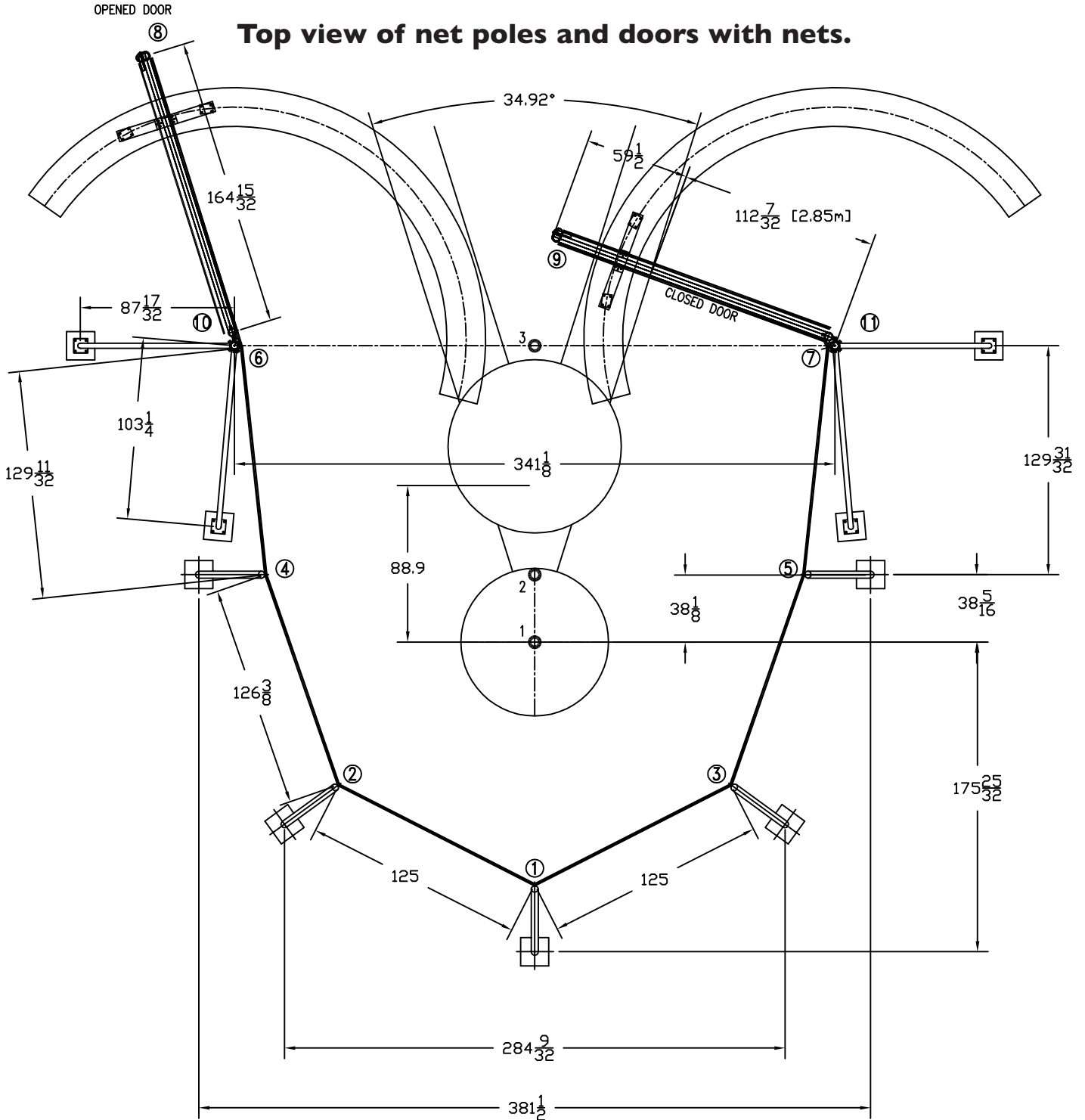
VERIFY WITH A LEVEL



- Step 1: Determine the center point ● 1 of the circle and fix precisely vertical Pin Alignment Device
- Step 2: For Net Post Ground Sleeve, locate position #1, #2, and #3, for concrete base 16"x16"x40"
- Step 3: Determine the center point ● 2 of the circle and fix precisely vertical Pin Alignment Device For Net Ground Sleeve, locate position #4 and #5 for concrete base 16"x16"x40"
- Step 4: Determine the center point ● 3 of the circle For Ground Sleeve Door, locate position #6 and #7 for concrete base 18"x18"x42"
(All ground sleeve must be properly aligned and secured prior to the placement of concrete)

GROUND SLEEVE LAYOUT

Top view of net poles and doors with nets.



PROPRIETARY & CONFIDENTIAL
THE INFORMATION CONTAINED IN THIS DRAWING IS THE SOLE PROPERTY OF UCS, INC. ANY REPRODUCTION IN PART OR AS A WHOLE WITHOUT THE WRITTEN PERMISSION OF UCS, INC. IS PROHIBITED.

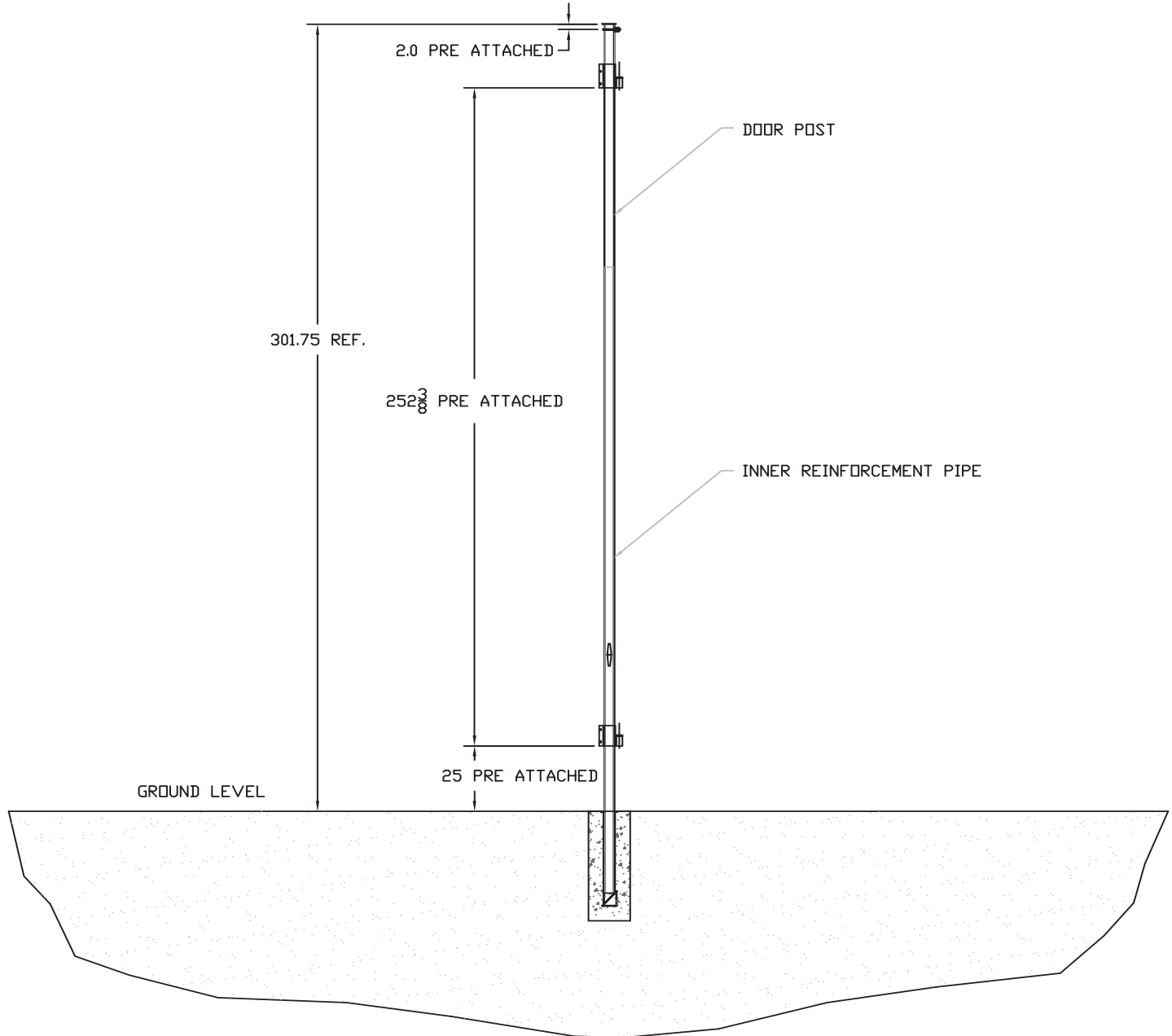
UCS CAGES ARE DESIGNED FOR LIMITED PROTECTION AND SAFETY TO SPECTATORS, OFFICIALS AND ATHLETES. ALL CAGES SHOULD BE USED AS ORIGINALLY DESIGNED AND WITH NET FULLY STRUNG IN PLACE DURING ACTIVITIES.

NOT TO SCALE

© 2008 UCS, INC.

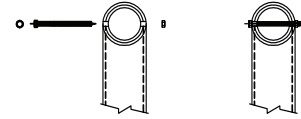
PAGE 5

DOOR POST INSTALLATION



To install Door Post to Door Ground Sleeve, turn Door Post so that the 45 deg. bevel at bottom of Door Post fits against the 45 deg. plate in the Door Ground Sleeve. Turn the Door Post until it seats properly in position. The Door Post will be properly aligned by the 45 deg. plate in the Ground Sleeve, keeping it stationary.

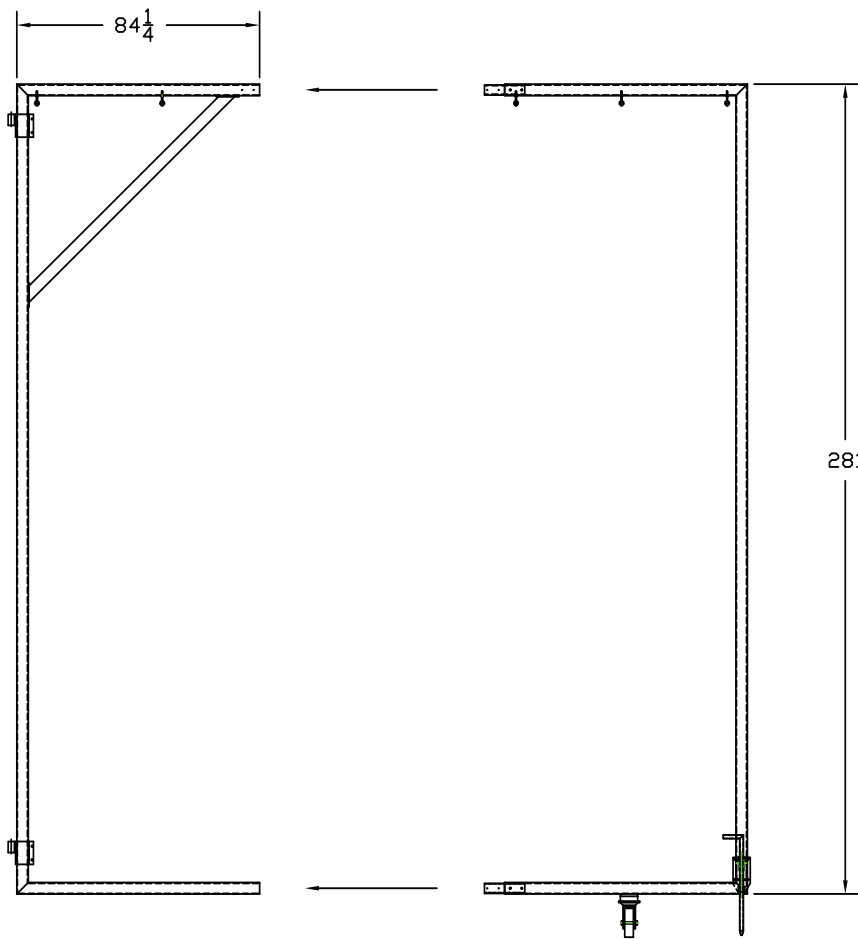
DOOR ASSEMBLY



Section of Side View

Detail View A

Scale 4:1



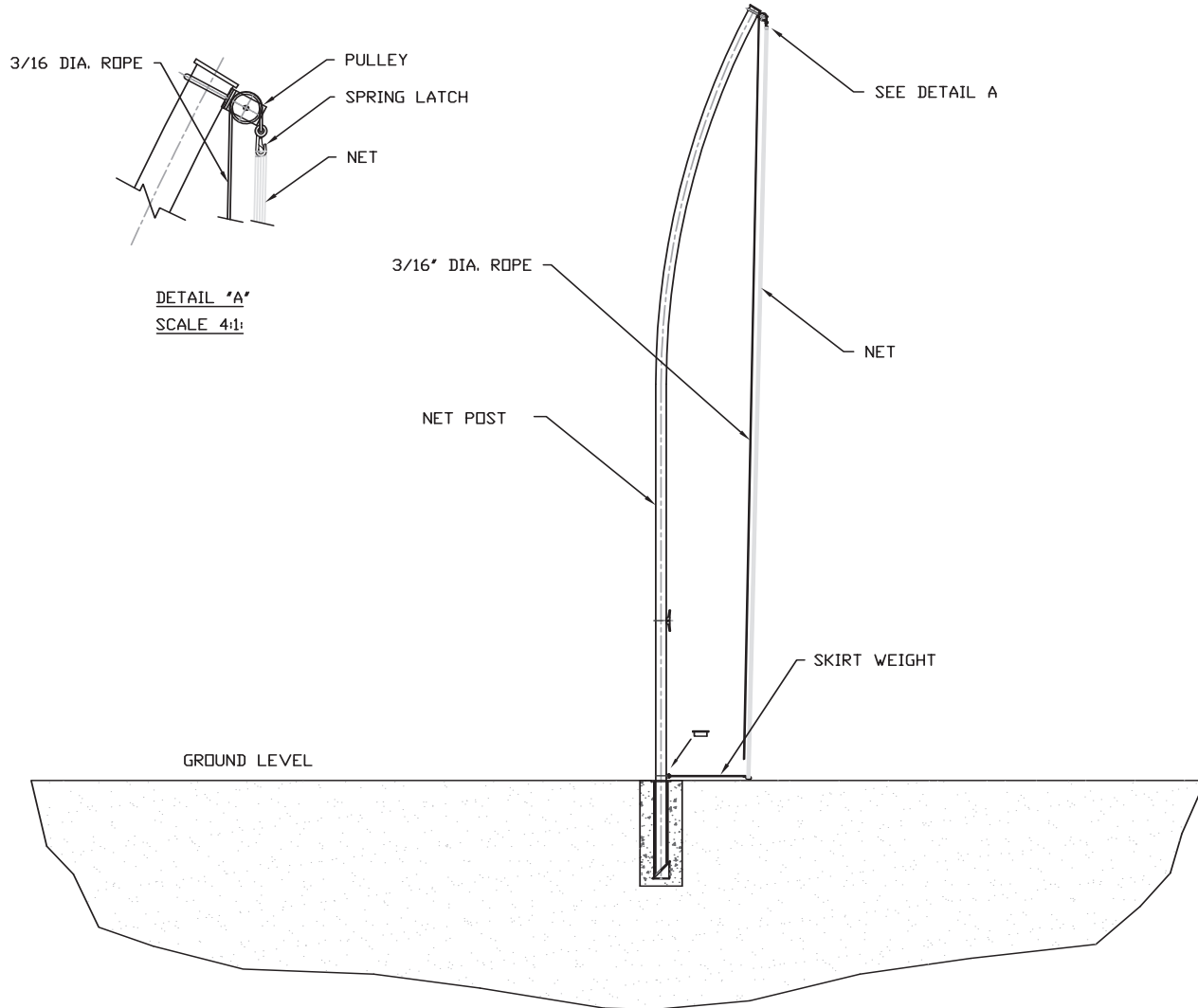
Section of Side View

See Detail View A

To assemble door, slide the door half which has the pre-connected connector in it into the other door half at top and bottom of door half. Hardware 3/8-16x4.5 hex head bolt is used at two places with 3/8-16 locknut at top and bottom of door. Tighten as required.

NET POST INSTALLATION

The spring latch and rope installation must be attached before installing the Net Post in Ground Sleeves.



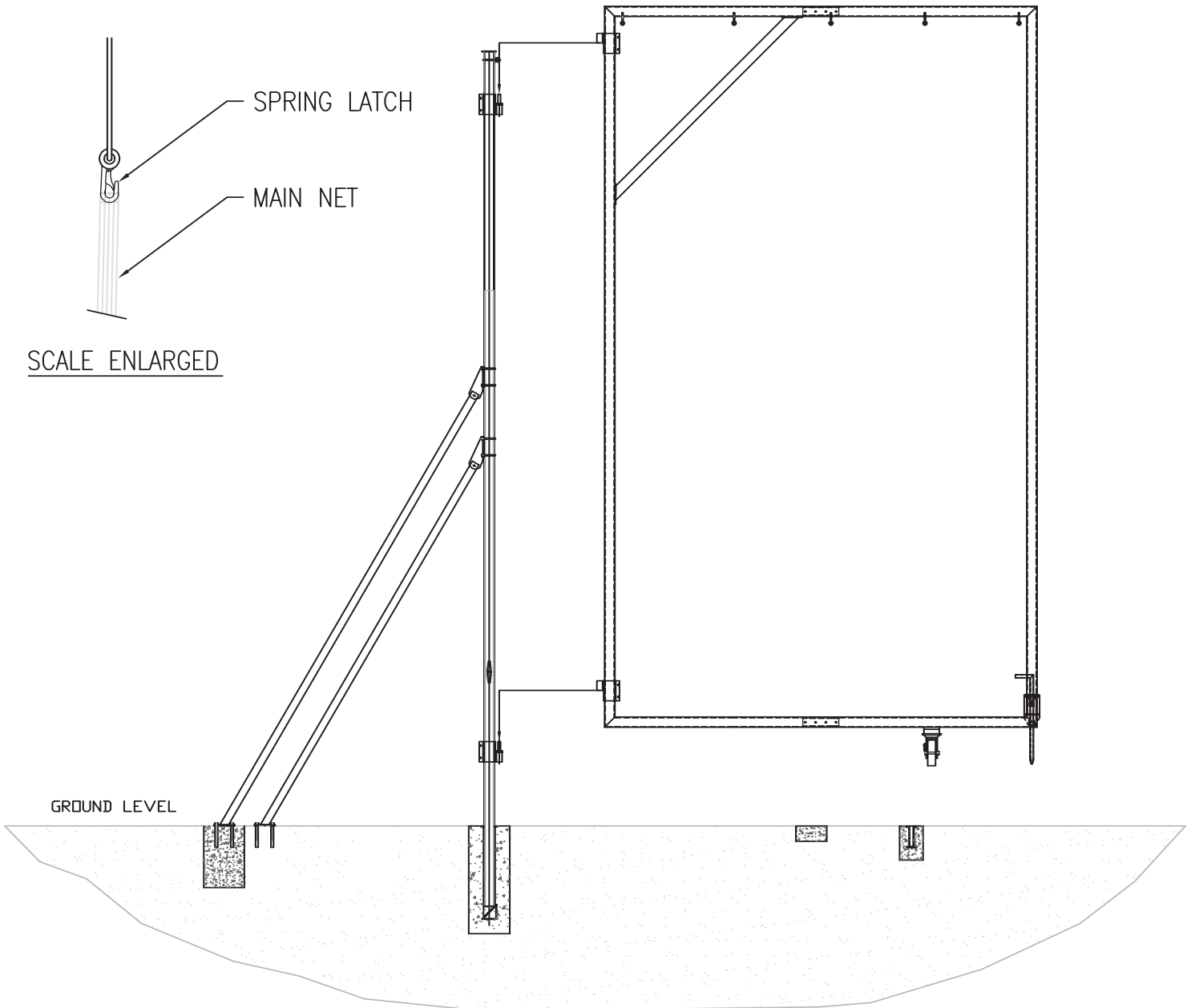
To attach Net to Net Post continue to attach the spring latches to the 3/8" border on the net as done at Net Door Post. Each spring latch should be spaced to the distance between Net Poles. Leave enough space between the spring latches so that the net will fit evenly. Put the opposite end of the rope through the pulley. Do not pull the net up at this time.

To install Net Post to Ground Sleeve, turn Net Post so that the 45 deg. bevel at bottom of Net Post fits against the 45 deg. plate in the Net Post Ground Sleeve. Turn the Net Post until it seats properly in position. The Net Post will be properly aligned by the 45 deg. plate in the Ground Sleeve keeping it stationary.

To raise the net, pull rope until net reaches near the pulley. Secure the rope by attaching it to the clevis which is mounted on the Net Pole.

At the base of each Net Pole attach Net to Skirt Weight.

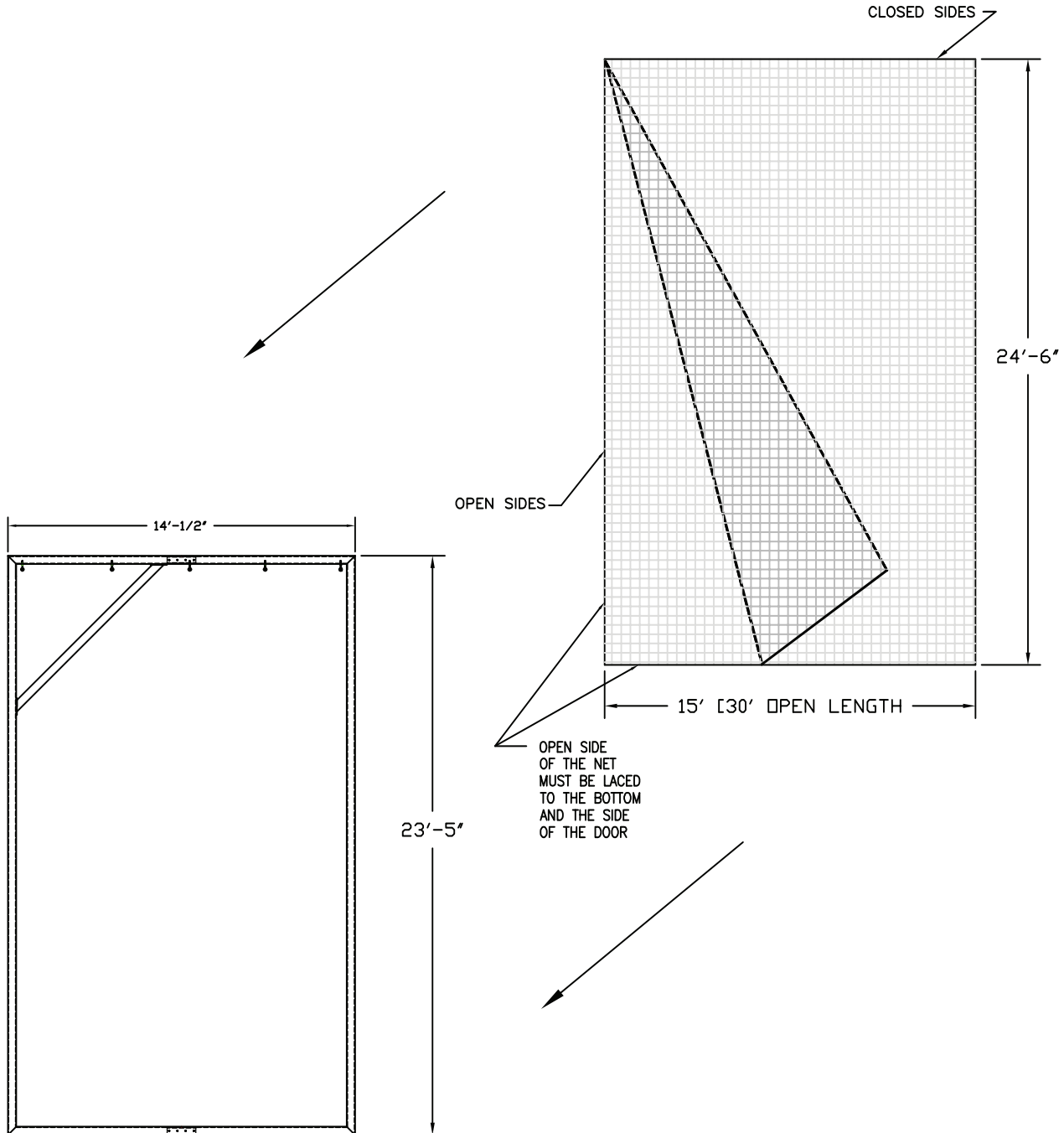
DOOR ATTACHMENT TO DOOR POST



To attach the door as assembled in Door Installation, lift the door away and above the Door Post. Bring the hinge opening on the door and line it up with the hinge pin on the Door Post. Lower the door as so the door will rest on both hinges. If hinge adjustment is necessary loosen hinge on door at top position and adjust as needed.

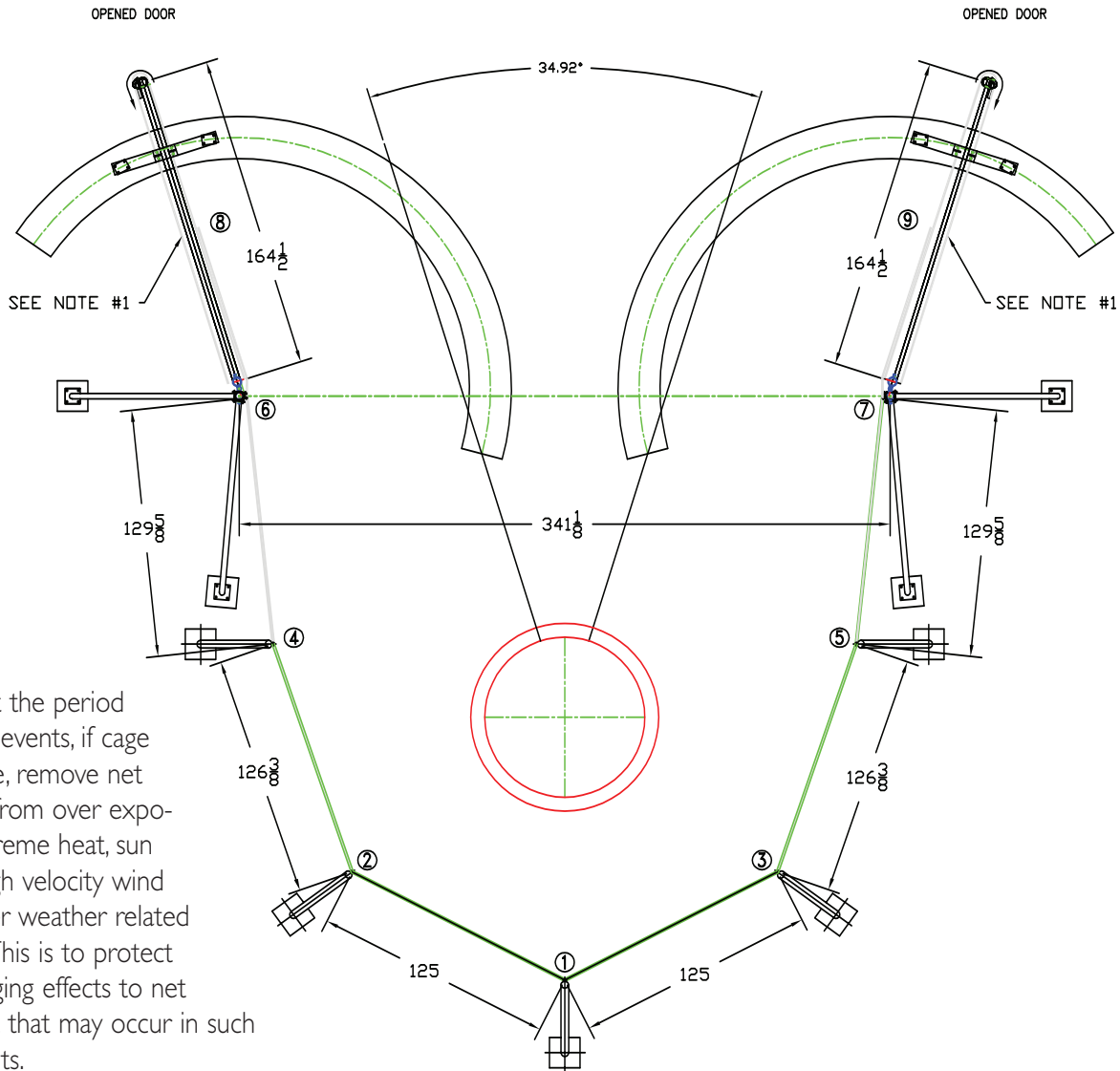
DOOR NET LAYOUT AND INSTALLATION

Installation of Door Net is done prior to the Main Net.

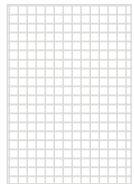
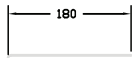


The Door Net will fit around the door and cover both sides. Hold the net slightly above the door and slide the net over the door. This process applies to both doors.

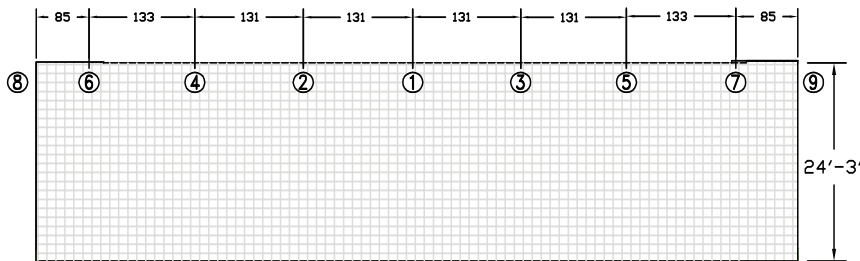
NET LAYOUT



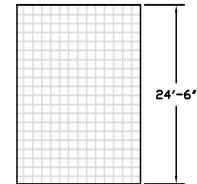
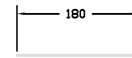
Throughout the period of seasonal events, if cage is not in use, remove net to protect from over exposure to extreme heat, sun UV rays, high velocity wind and all other weather related elements. This is to protect from damaging effects to net and or post that may occur in such environments.



DOOR NET



MAIN NET LAYOUT (80')



DOOR NET

PROPRIETARY & CONFIDENTIAL
THE INFORMATION CONTAINED IN THIS DRAWING IS THE SOLE PROPERTY OF UCS, INC. ANY REPRODUCTION IN PART OR AS A WHOLE WITHOUT THE WRITTEN PERMISSION OF UCS, INC. IS PROHIBITED.

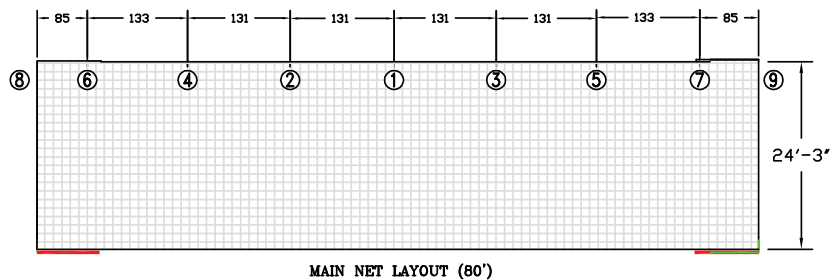
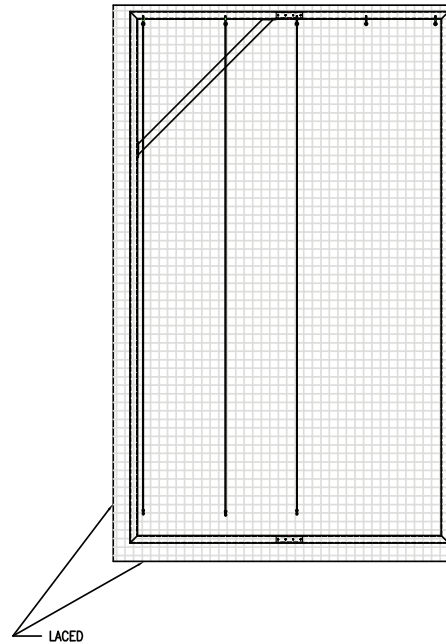
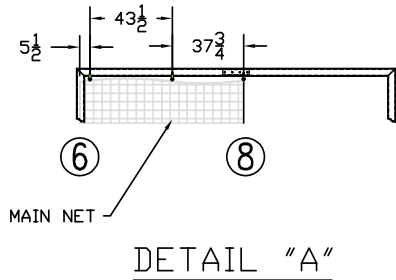
UCS CAGES ARE DESIGNED FOR LIMITED PROTECTION AND SAFETY TO SPECTATORS, OFFICIALS AND ATHLETES. ALL CAGES SHOULD BE USED AS ORIGINALLY DESIGNED AND WITH NET FULLY STRUNG IN PLACE DURING ACTIVITIES.

NOT TO SCALE

© 2008 UCS, INC.

PAGE 12

MAIN NET AND DOOR NET COMPLETION

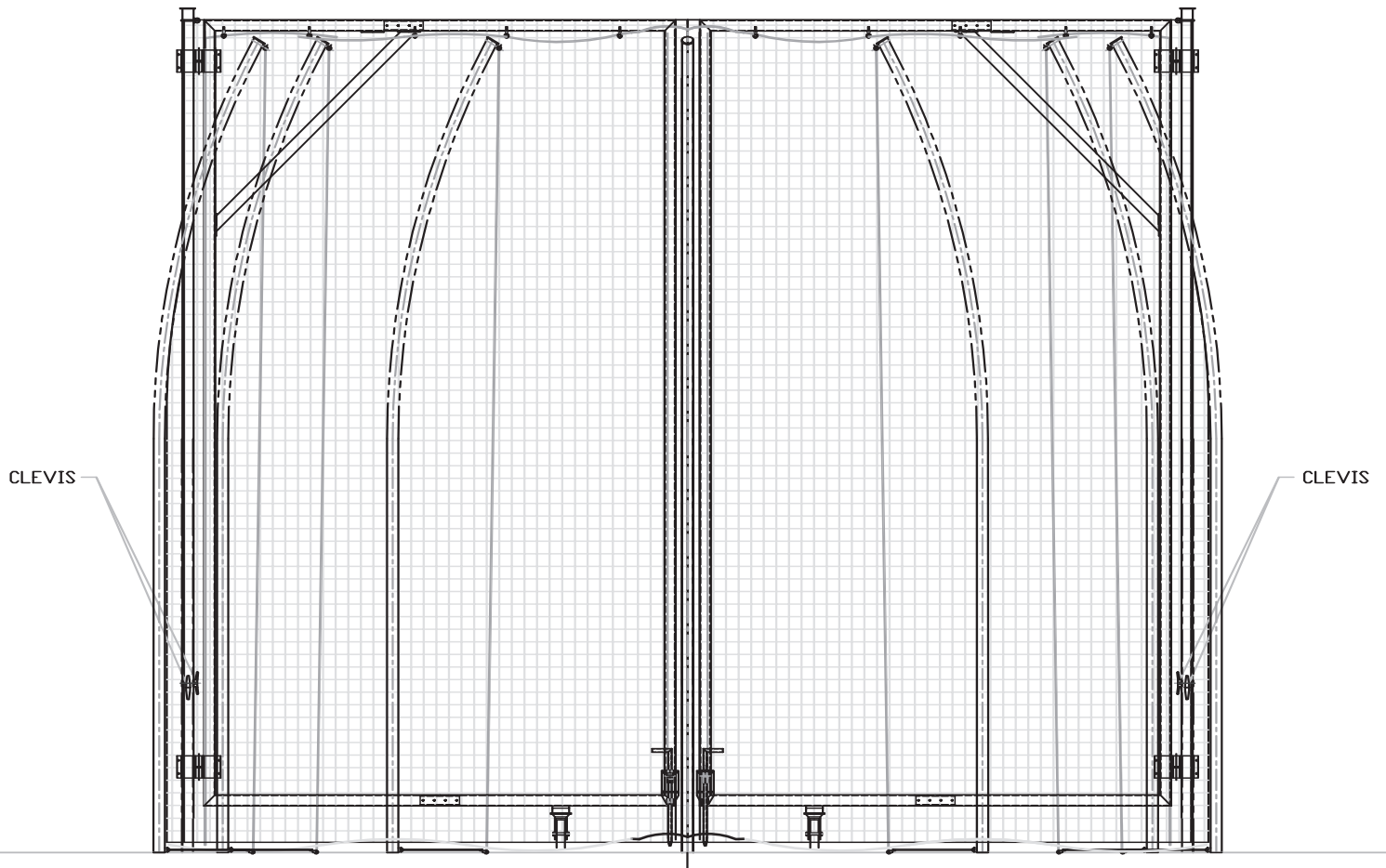


As Main Net is near completion, continue the remainder of the Main Net to overlap the Door Net which should be about half way across the Door Net. It is necessary to put the ropes which are used to raise and lower the Main net through the top spaces in the Door Net and through the first three eye bolts. After properly fitting the Door Net, the open side must be laced to the bottom and the side of the door. This process applies to both doors.

To obtain the proper positions for the spring latch and to line up correctly with the pulley position "1" through "9", lay the main net out on the ground as shown in the main net layout view. Starting at the center position "1" mark the net at the top in same manner and continue this for these nine positions.

NET POST DOOR POST LAYOUT - LIGHTNING

Cages are to be vacant from the approach or during the event of severe weather conditions especially lightning. For safety of personnel concerning lightning, nets should be removed before severe weather conditions. UCS cannot be responsible for weather related damage.




FRONT VIEW OF DOOR WITH NET IN POSITION

IF YOU HAVE ANY QUESTIONS,
PLEASE CONTACT



at 1.800.526.4856 OR ONLINE
at www.ucsspirit.com
SHOULD THE LABELS BECOME
ILLEGIBLE, PLEASE CONTACT US AND
WE WILL SEND ADDITIONAL LABELS,
FREE OF CHANGE

UCS SAFETY AND WARNING LABELS TO BE LOCATED AT EYE LEVEL OR APPROXIMATELY 6 FEET HIGH ON BOTH RADIAL POST NEAREST THE THROWING OPENING AND AT REAR POST OF CAGE. LABEL SHOULD BE PLACED TO BE READABLE FROM STANDING OUTSIDE THE CAGE.

 **WARNING**

- * DO NOT CROSS THROWING AREA WHEN IN USE.
- * BEWARE OF SURROUNDINGS, KEEP A SAFE DISTANCE FROM CAGE AND LANDING SECTOR WHEN IN USE.
- * CAGES ARE TO BE VACANT FROM THE APPROACHING AND DURING INCLEMENT WEATHER, ESPECIALLY DURING LIGHTNING STORMS.
- * REMOVE NETS BEFORE SEVERE WEATHER CONDITIONS, IE. STRONG WINDS.
- * LOWER NET WHEN NOT IN USE.
- * NETS SHOULD BE STORED INDOORS AT THE END OF EACH SEASON.
- * INSPECT NET FOR TEARS AND DETERIORATION PRIOR TO REINSTALLING.
- * DO NOT CLIMB OR HANG FROM CAGE.
- * CHECK CAGE PERIODICALLY FOR LOOSE PARTS AND WORN CORDS, TIGHTEN OR REPLACE WHEN NEEDED.

